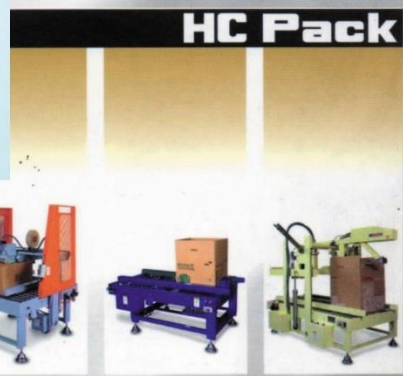


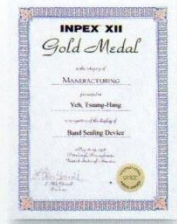
 **HC Pack**

**CARTON SEALING
MACHINES**

TAPING HEAD



TAPING HEAD ENTERPRISE CO., LTD.

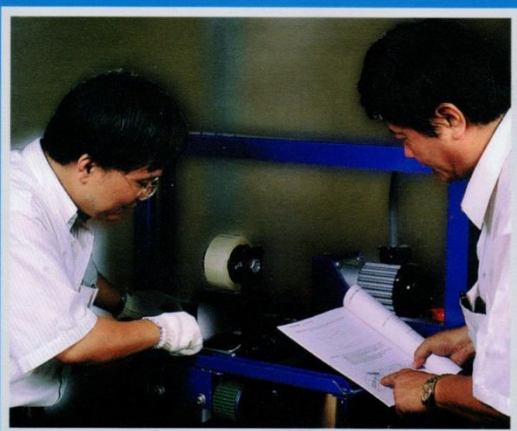


ALL NEW TAPING HEAD FOR CARTON SEALING TODAY AND FUTURE

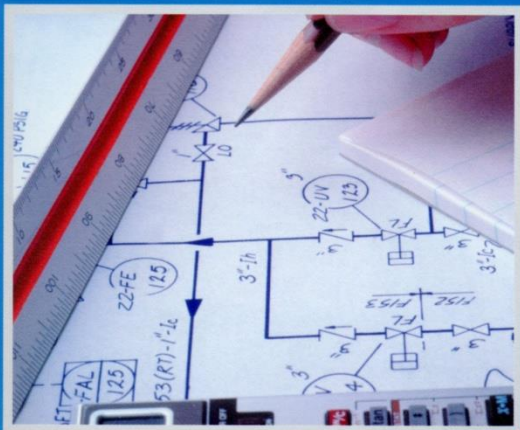
Huan Cheng design, develop, and manufacture the high performance carton sealing machines to solve the problems that usually occurred on a conventional sealer. Huan Cheng offers the superior performance, competitively priced carton sealer that incorporating the exclusive ideas in sealing technology. Huan Cheng's outstanding design capabilities is recognized by industries throughout the world. The ability to consistently produce reliable, high performance machines, combined with our strong commitment to customer support, have earned us the technology leadership position in Taiwan in the field of carton sealers.



Sealing quality discussion



HUANG CHENG sealers are easy to adjust.



Advanced design concept to create all new sealing performance.

QUALITY SEALERS MAKE A DIFFERENCE

Huang Cheng's Places high priority in quality control. Our entire staffs apply professional approach to every aspect of the manufacturing processes. Every step is fully quality controlled in order to meet our high standards of performance and reliability. Our emphasis on quality is fully reflected on every sealer from HUANG CHENG.

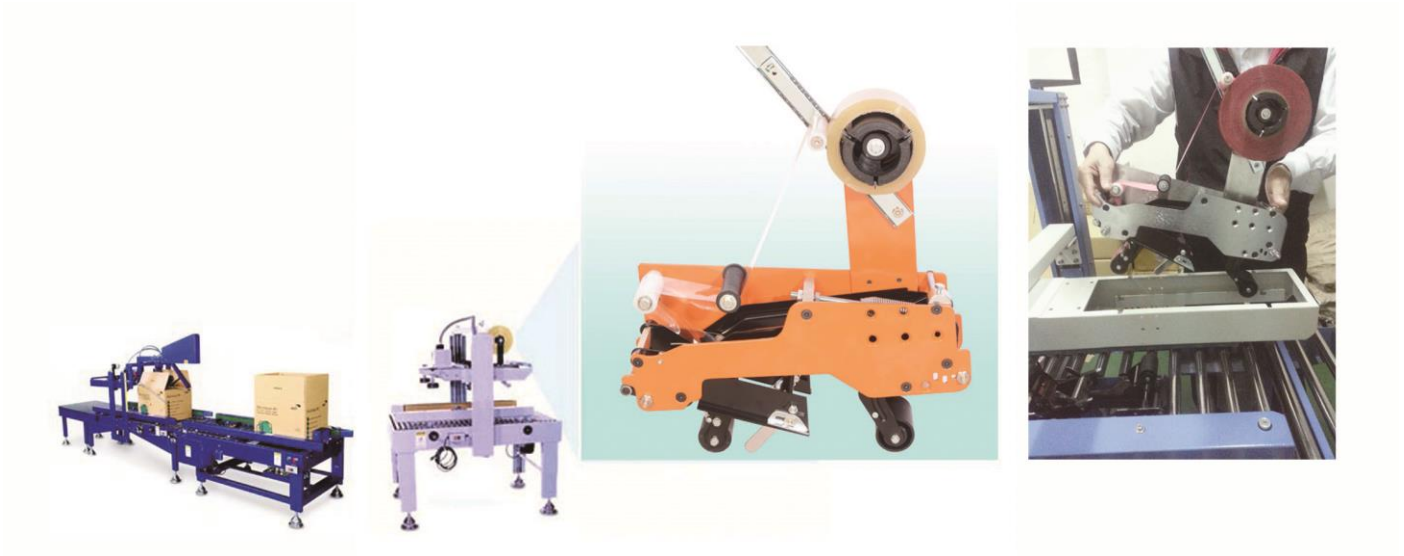
RESEARCH AND DEVELOPMENT

The reason for the excellence of Huang Cheng's carton sealer is our dedication to continuous research and development. Our objective is to enhance the value of a higher existing machines and develop new level of sealing performance. The years of efforts in R&D have enabled Huan Cheng Carton Sealers to win international awards in technology innovations.

BUILT ON TRADITION OF INNOVATION AND FINE CRAFTSMANSHIP

Each Huang Cheng's carton sealer is a highly reputed machine, built with a tradition of design excellence and fine craftsmanship. Huang Cheng products give you higher quality operation and years of trouble free performance.

Gravity spring-free carton-sealing Tapeing Head.



< Technology Innovation >

Free fall design

Spring-free

Stress-free

H.C. Taping Head Apply : All brands~
Carton sealing machine, Automatic sealing machine, Sealing machine,
Automatic Folding Carton Sealing Machine,
Tape sealing machine, Edge Sealer...Etc.

***Feature :**

1. Even cut of the tape.
2. Firm adhesion.
3. Smooth and clear surface.
4. Little vibration.
5. Packing can be done even with deformed tape.
6. Patented in the U.S. and 9 other countries.
7. Reduces tensile strength of tape when pulled.
8. Spring-free design reduces breakdowns, enhances efficiency, and lower costs.
9. New cutter design ensures even cut.
10. Easily replaceable.
11. The packing machine can use tape **2 to 4** inches wide.

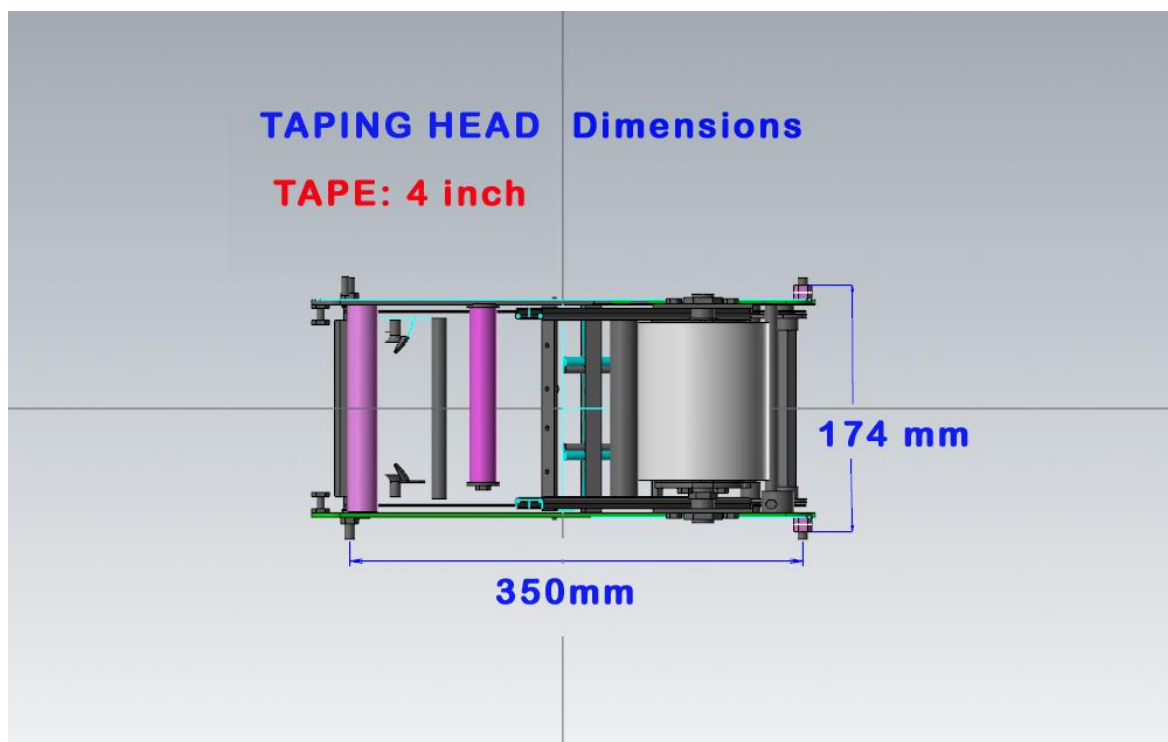


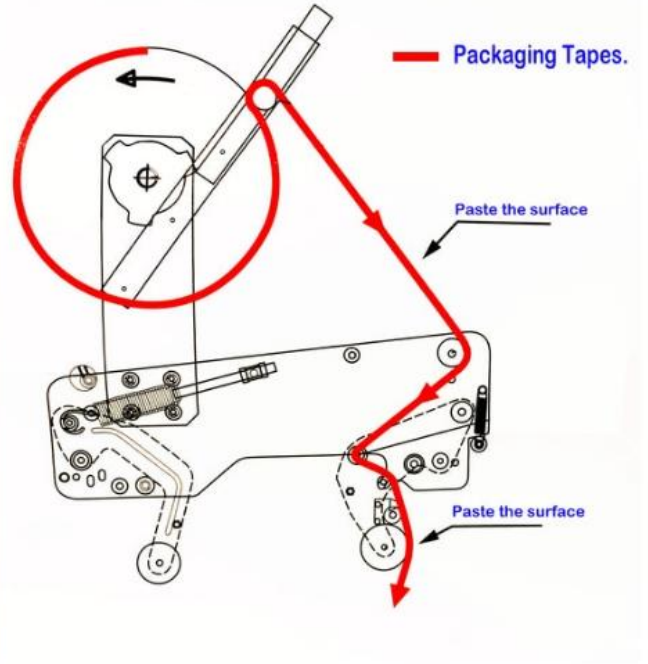
ALL NEW UPGRADE - TAPE : 4 inches

TH-0340

TH-0140

Carton Sealer Taping Head (Upper) for 4 inches Tape **Carton Sealer Taping Head (lower) for 4 inches Tape**





Shocked ! The new upgrade !!



TH-0330

Carton Sealer Taping Head (Upper) for 3 inches Tape

TH-0130

Carton Sealer Taping Head (lower) for 3 inches Tape

TH-0320

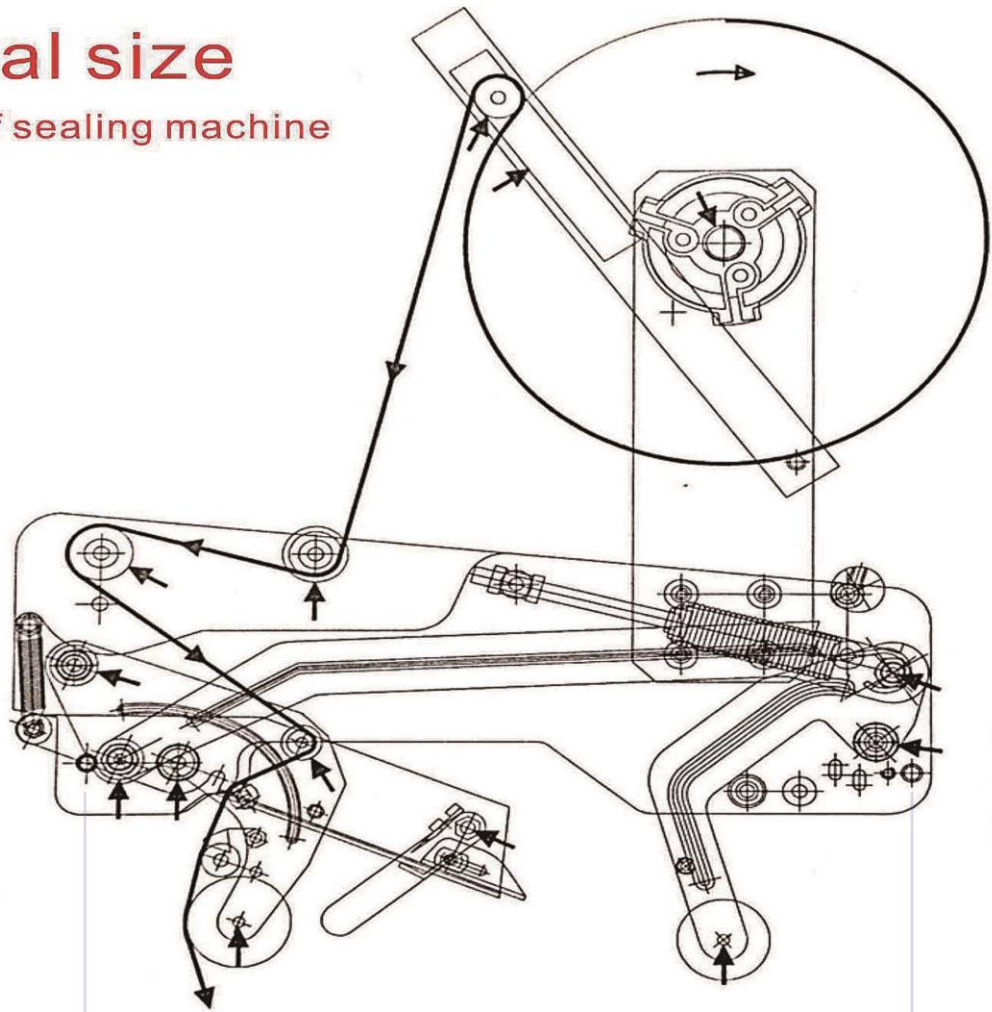
Carton Sealer Taping Head (Upper) for 2 inches Tape

TH-0120

Carton Sealer Taping Head (lower) for 2 inches Tape

Normal size

All kinds of sealing machine



350 mm

120mm (Tape:2 inch)
145mm (Tape:3 inch)



Fixed size



**Many Taiwan food manufacturers admire our innovative product.
And replace the old-style Carton Sealers TAPING HEAD.**



TAPING HEAD ENTERPRISE CO. LTD.

Tel: 886-4- 24934571 Fax:886-4- 22703586

TAIWAN

ALL VIDEO :

https://www.youtube.com/channel/UCLJ_NFqJRtF7Z5cpaDGkSXA/videos

<http://www.tapinghead.com>

Email: tapinghead@gmail.com